

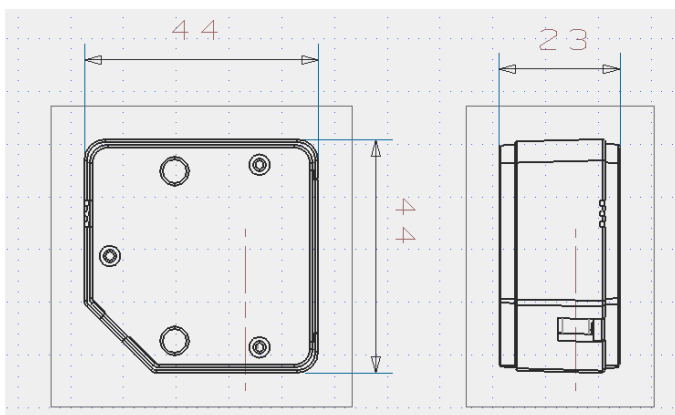
## HW-1880

### FEATURES & BENEFITS

- 32-bit high performance CPU
- Decoding min barcode density:4mil(752\*480)
- Support 1D/2D barcode on paper and screen
- Manual, Auto detective, Continuous, Host mode.
- Host mode: programmable(sending commands by serial port)
- Interface USB(HID,COM),RS232(open wire)
- Small size, fast and convenient installation



### Installation Dimensions and Interface definition



#### 1. RS232 interface(Open wire)

PIN NO.	Definition	Wire color
1	VCC	Red
2	RXD	Brown
3	TXD	Orange
4	GND	Black

#### 2. USB Interface is USB



### Application Scenario



Traceability for factory



Cabinet for logistics



self order machine(KFC)

# Technical Specification

## HW-1880 Parameters

Reading performance	Image Sensor	CMOS		
	Resolution	500k pixels,752*480,60fps		
	Decoding capacity	Support paper and screen barcodes		
		2D: QR,PDF417,Data Matrix, Aztec, Matrix code etc.		
		1D: EAN, UPC, Code 39,Code 93,Code 128,UCC/EAN 128, Codabar, Interleaved 2 of 5, ITF-6,ITF-14,ISBN,ISSN, MSI-Plessey,GS1 Databar,GS1 Composite Code,Code 11,Industrial 25, Standard 25,Plessey, Matrix 2 of 5 etc. all normal 1D barcodes		
	Precision	4mil		
	Light Source	620nm Visible Red Diode, white LED for illumination		
	View Angle	66° (H) x50° (V)		
	Scan Angle	Rotation360° ,tilt±55° ,skew±55°		
Min Contrast	25%			
Trigger Mode	Manual, Continuous, Motion sensing, Host Mode etc.			
Typical DOF	EAN13(13mil) 40-200mm	Code 39(5mil)40-120mm		
	QR code(20mil)25-210mm	PDF417 (6.67mil)30-120mm		
Performance may be impacted by bar code quality and environmental conditions				
Mechanical and electrical	Interface	USB(HID,COM) RS232(Open wire)		
	Working Voltage	DC 5V		
	Current	170mA(working)	25mA-USB,400uA-RS232(Standby)	
	Dimensions	44*44*23mm		
	Weight	70-100g(with cable)		
	Indication	Buzzer&LED		
Environment Request	Working Tem	-20~50°C		
	Storage Tem	-40~70°C		
	Humidity	5%-95%(Non-condensing)		
	Light intensity	0-100,000Lux		